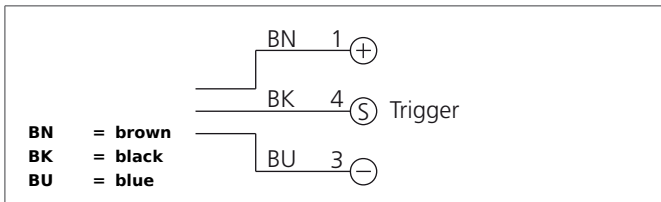


BEK 1-P14-G2TI-IBS

Spotlight

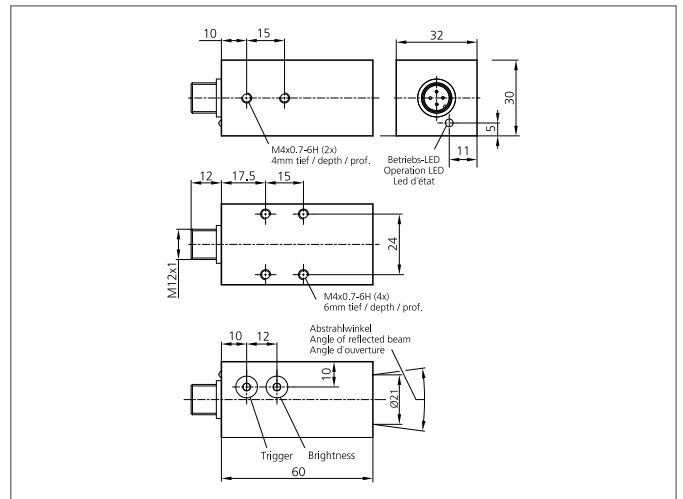
- Constant level of light intensity over the entire voltage range
- Homogenous luminous field
- External trigger input
- Internal control of power output
- High efficiency
- Low levels of heat produced
- Light intensity can be adjusted
- Robust metal casing



Safety instructions

The Instruments are not to be used for safety applications, in particular applications in which safety of persons depends on proper operation of the instruments.

These instruments shall exclusively be used by qualified personnel.



TECHNICAL INFORMATION (typ.)		+20°C, 24V DC
Characteristics		Internal control of power output, Trigger input
Light colour		Green, 528 nm
Emission angle		14°
Illumination intensity		63 kLux (0,1 m), 22 kLux (0,2 m), 3.800 Lux (0,5 m)
Service voltage		10 ... 35 V DC (Supply Class 2)
Internal power consumption		max. 320 mA, (10 V DC)
Light outlet		axial
Trigger input low level		0 ... <2,8 V
Trigger input high level		> 3,3 ... 35 V
Power		3,5 W (10...35 V DC)
Shock-/vibration load		10 ... 55 Hz / 1,0 mm / 30 g
Inverse polarity protection		Yes
Display		LED: green - operation indicator
On-delay time (Trig.)		0,420 ms
Switch off delay (Trig.)		0,076 ms
Ambient temperature		0 ... +50 °C
Protection class		IP 67
Protection degree		III, operation on protective low voltage
Risk group (DIN EN 62471)		Risk group 1
Casing material		Aluminium black anodized
Material		polymethyl methacrylate (Window)
Connection		Connector, M12, 3-poled
Connecting cable		VK ...